



# Tulip

©WETSTYLE

## BTP 01

inch 64.8125 x 34 x 20 / 25 mm 1646 x 863 x 509 / 635

### interior dimensions

rim: inch 62.3125 x 30.8125 mm 1582 x 782  
 base: inch 42.875 x 23 mm 1089 x 584  
 height: inch 16.25 / 21.5 mm 413 / 546

capacity to overflow  
 gal (us) - 68 liters - 260

weight  
 lb - 165 kg - 75

installation  
 freestanding

overflow and drain connection  
 WETSTYLE Plug & Bathe™ system  
 (ABS or copper/brass)

overflow  
 built-in  
 slot design  
 polished chrome or brushed nickel

drain  
 soft toe touch  
 polished chrome or brushed nickel

waste and overflow kit  
 included

material  
 WETMAR Bio™, True High Gloss™,  
 Matte or Dual\* finish

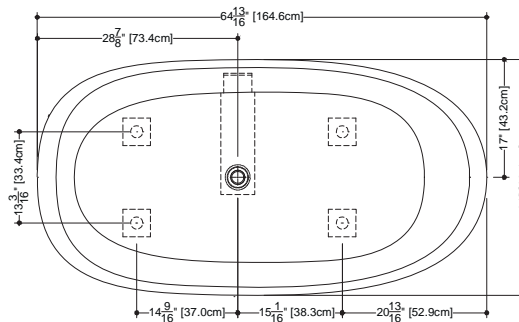
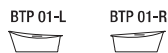
color  
 white

codes/standards applicable  
 IAPMO-ANSI Z124.1 - IAPMO-ANSI Z124.3  
 CSA B 45.0 - CSA B45.4

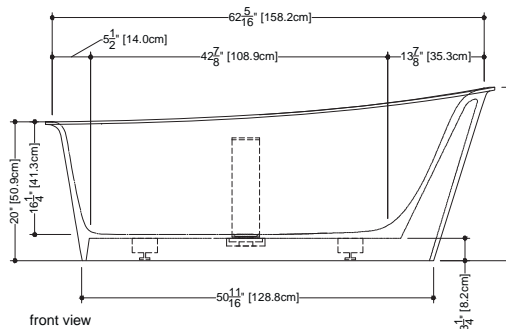
faucet area recommended  
 wall-mounted or floor-mounted

\*Dual finish: True High Gloss™ interior and rim  
 and matte exterior

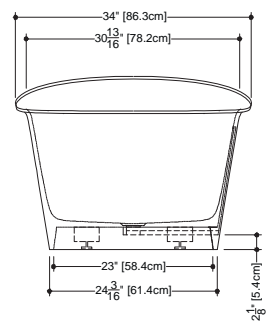
WETSTYLE cannot be held responsible for any technical errors and reserves the right to make revisions without notice. Approximate measurement. The manufacturer accept 1/8" (6.35mm) variance.



plan view






front view



side view



WETSTYLE Plug & Bathe™ overflow and drain connection system includes:

-  Soft-touch pop-up drain, for built-in overflow. Fits both 1-1/2" ABS drain waste and 1-1/2" tubular brass
-  1-1/2" ABS Direct vertical drain waste fitting (copper/brass option also available)
-  1-1/2" ABS 90° Elbow drain waste fitting (copper/brass option also available)